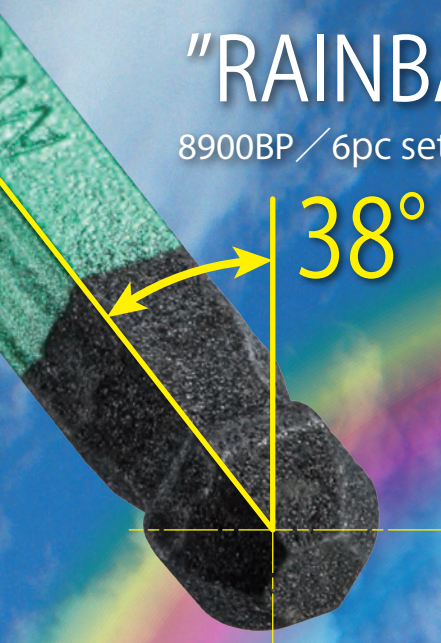


*New*

# "RAINBALL" L-WRENCHES

8900BP / 6pc set 8906BP / 9pc set 8909BP

**38° tilt angle!**



## BLACK POINT®

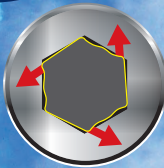
Highly accurate driving with black oxide finish. Does not affect the thickness.

Prevent damage  
Hex screw head!

## Ultra Hex®

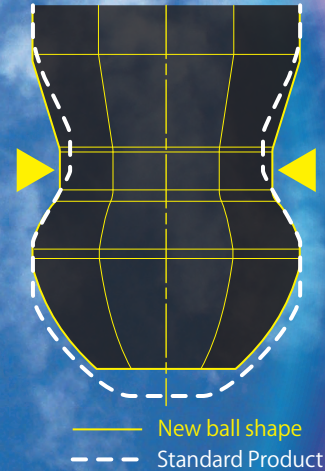


Ultra Hex Technology!  
Protect your screw head with  
3 contact points on 3 faces!



Durable neck  
designed.

Larger cross-section ball neck,  
stronger torque resistance.



Limited screw/bolt  
dropping during work!

Designed for  
confined spaces!



Mag	
	Rub and Pull apart.
De-Mag	① Slide at right angle to the groove.
	② Lift Up.

## Magnetizer Included 8909BP only

You can directly magnetize  
and demagnetize a wrench.

Demagnetization  
About 20mm from the Tip,  
just pull off the magnetizer.



Get more magnetic power  
by attaching the magnetizer  
to the wrench!

Product promotional  
Video Here! ▶



[https://www.youtube.com/watch?v=rVFpOaDkE\\_A](https://www.youtube.com/watch?v=rVFpOaDkE_A)

# "RAINBALL" L-WRENCH *New*

**VESSEL**  
Let us think.

## NEW! RAINBALL

Inherits the large tilted angle, which is the greatest characteristic of the RAINBALL series.

Maximum tilted angle of 38°.

Fits firmly shallow screws such as button screw.

### No. 8909BP "RAINBALL" L-WRENCHES 9PC Set PAT.

- Openable Holder. Can be used as a stand, with a magnet.
- The magnetizer mounted into the holder allow fixation on metal parts such as machine tools, surface plates, etc.



	Set Content	Package size (mm)	Inner Ctn. (Set)	EDP No.
8909BP	H1.5, 2, 2.5, 3, 4, 5, 6, 8, 10 mm	245×110×35	5	144351
Accessory	Magnetizer / Holder			

### No. 8906BP "RAINBALL" L-WRENCHES 6PC Set PAT.

- Portable holder, easy to carry.
- For maintenance of small machinery, motorbike, bicycle, etc.



	Set Content	Package size (mm)	Inner Ctn. (Set)	EDP No.
8906BP	H1.5, 2, 2.5, 3, 4, 5 mm	200×80×13	5	144352
Accessory	Holder			

### No. 8900BP "RAINBALL" L-WRENCHES PAT.

- Easy to find in a tool box. Color coded by size.



No.8900BP	Hex	Length	Tip Length	Package size (mm)	Inner Ctn.	EDP No.
H 1.5	1.5	15	69	160×45×5	10	144341
H 2	2	17.5	74	160×45×5	10	144342
H 2.5	2.5	20	83.5	160×45×5	10	144343
H 3	3	22	93.5	160×45×5	10	144344
H 4	4	28	102.5	200×60×8	10	144345
H 5	5	32	123.5	200×60×8	10	144346
H 6	6	37	144	200×60×8	10	144347
H 8	8	43	166	235×75×14	5	144348
H 10	10	49	188.5	235×75×14	5	144349

※ Colors inside the table cell indicate the body color



No. 8900BP



No. 8906BP



No. 8909BP



The 9 PC set comes with a magnetizer and can be fixed on metal part of machine tools.



- Always use the correct size ● In electric work, be careful of short-circuits and electric shock.
- Overloading may cause damage to screws or injuries. ● Keep away from children.

## VESSEL Co., Inc.

17-25, Fukae-kita 2-chome, higashinari-ku, Osaka 537-0001 JAPAN  
Tel : +81(0)6 6976 7778 Fax : +81(0)6 6972 9441

export@vessel.co.jp

www.vessel.co.jp/english

## VESSEL EUROPE

6, avenue du 1er Mai, ZAE Les Glaises, 91120 Palaiseau FRANCE  
Tel : +33(0)1 69 19 17 42 Fax : +33(0)1 69 19 42 20

contact@vessel-europe.com

www.vessel-europe.com

Distributed by