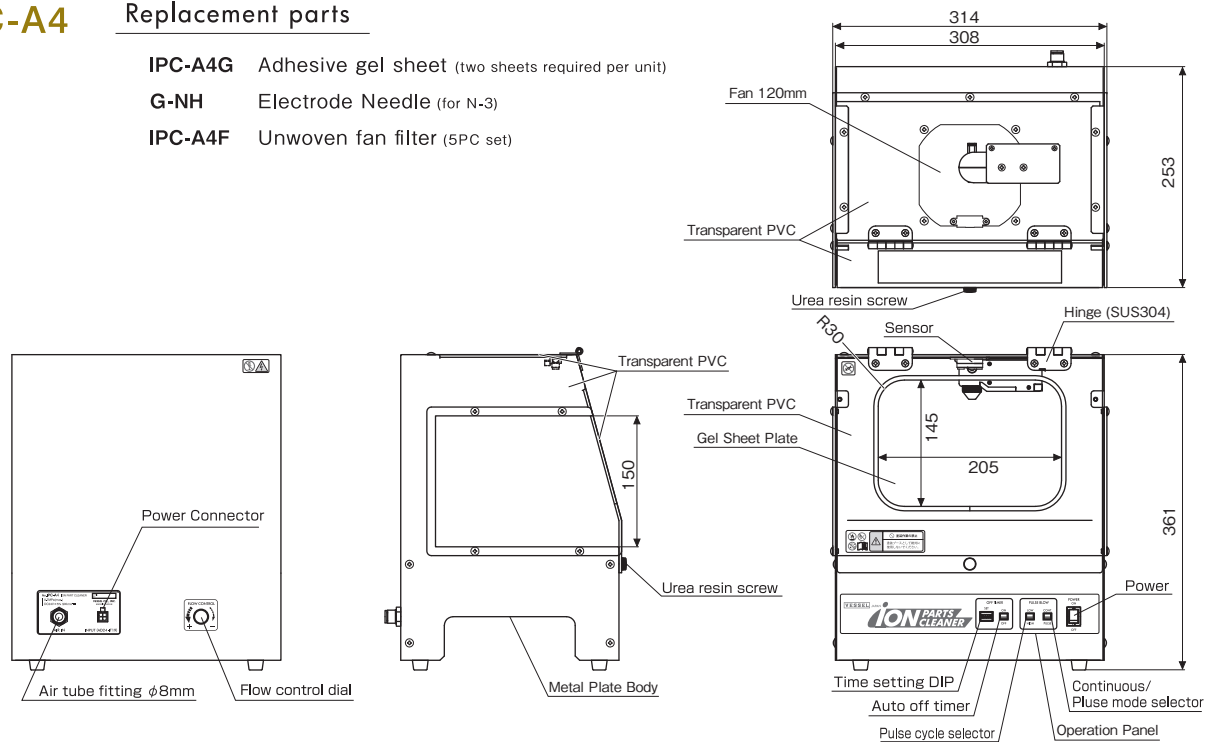


## External dimensions

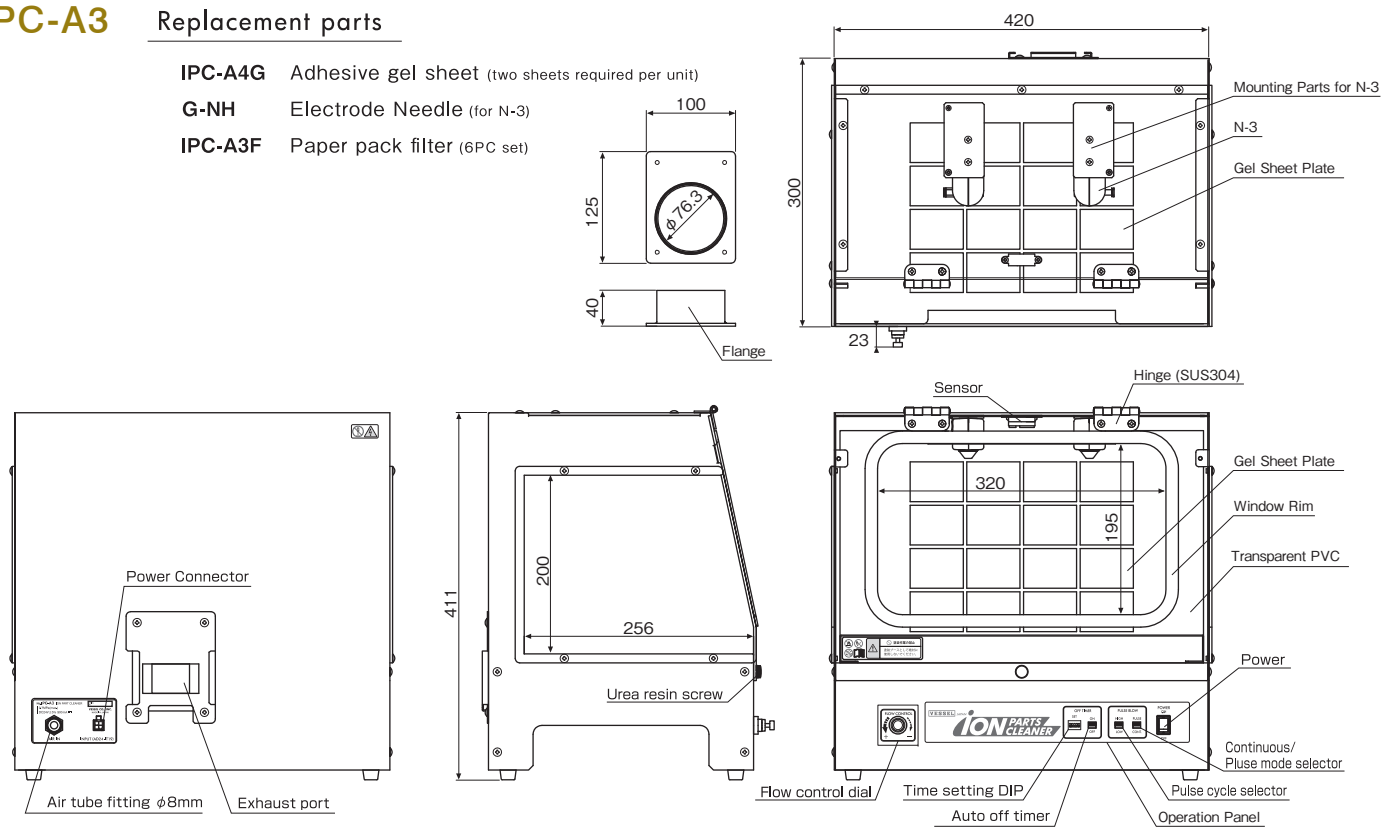
### IPC-A4 Replacement parts

- IPC-A4G Adhesive gel sheet (two sheets required per unit)
- G-NH Electrode Needle (for N-3)
- IPC-A4F Unwoven fan filter (5PC set)



### IPC-A3 Replacement parts

- IPC-A4G Adhesive gel sheet (two sheets required per unit)
- G-NH Electrode Needle (for N-3)
- IPC-A3F Paper pack filter (6PC set)



※A dust collector should not be connected to the exhaust duct. A load will be applied on the internal fan and lead to faults.



Warning

- Read the instruction manual carefully before use.
- Do not use Ion Parts Cleaner for other purpose than the static erasing or dust removal.
- To avoid fires or accidents, never let Ion Parts Cleaner vacuum up flames, explosive dust, or dust containing liquid or mist.
- To avoid failure or malfunction, never let Ion Parts Cleaner vacuum up damp dust or any moisture such as water or oil.
- Never use Ion Parts Cleaner for different kinds of dust which may cause reaction, fires, accidents, or else, as a result of mixture.
- Do not use Ion Parts Cleaner as a painting booth. Do not perform painting work with Ion Parts Cleaner.

●For improvements, the product specifications, size, price and other information may be subject to change without prior notice.

Distributed by

Manufactured by  
**VESSEL Co., Inc.**  
 17-25, Fukae-kita 2-chome, Higashinari-ku, Osaka 537-0001 JAPAN  
 Tel : +81(0)6 6976 7778 Fax : +81(0)6 6972 9441

**VESSEL EUROPE**  
 6, avenue du 1er Mai, ZAE Les Glaises, 91120 Palaiseau FRANCE  
 Tel : +33(0)1 69 19 17 42 Fax : +33(0)1 69 19 42 20

E-mail : export@vessel.co.jp URL : <http://www.vessel.co.jp/english/>

Printed in Japan

16041521.005

**VESSEL**  
 Let us think.

User-friendly and compact system  
 for ionizing and dust collection

NEW **IPC-A3**



NEW **IPC-A4**



CE RoHS

**ION PARTS CLEANER**

**IPC-A3 IPC-A4**

Ion Parts Cleaner Series

PAT.

No need to go to a dust collector bench.  
Contributes to streamlining in the cell or line production.

### Considerably less power consumption

Running costs are greatly reduced as a dust collector is no longer required. Air consumption can be further reduced by using pulse blow.

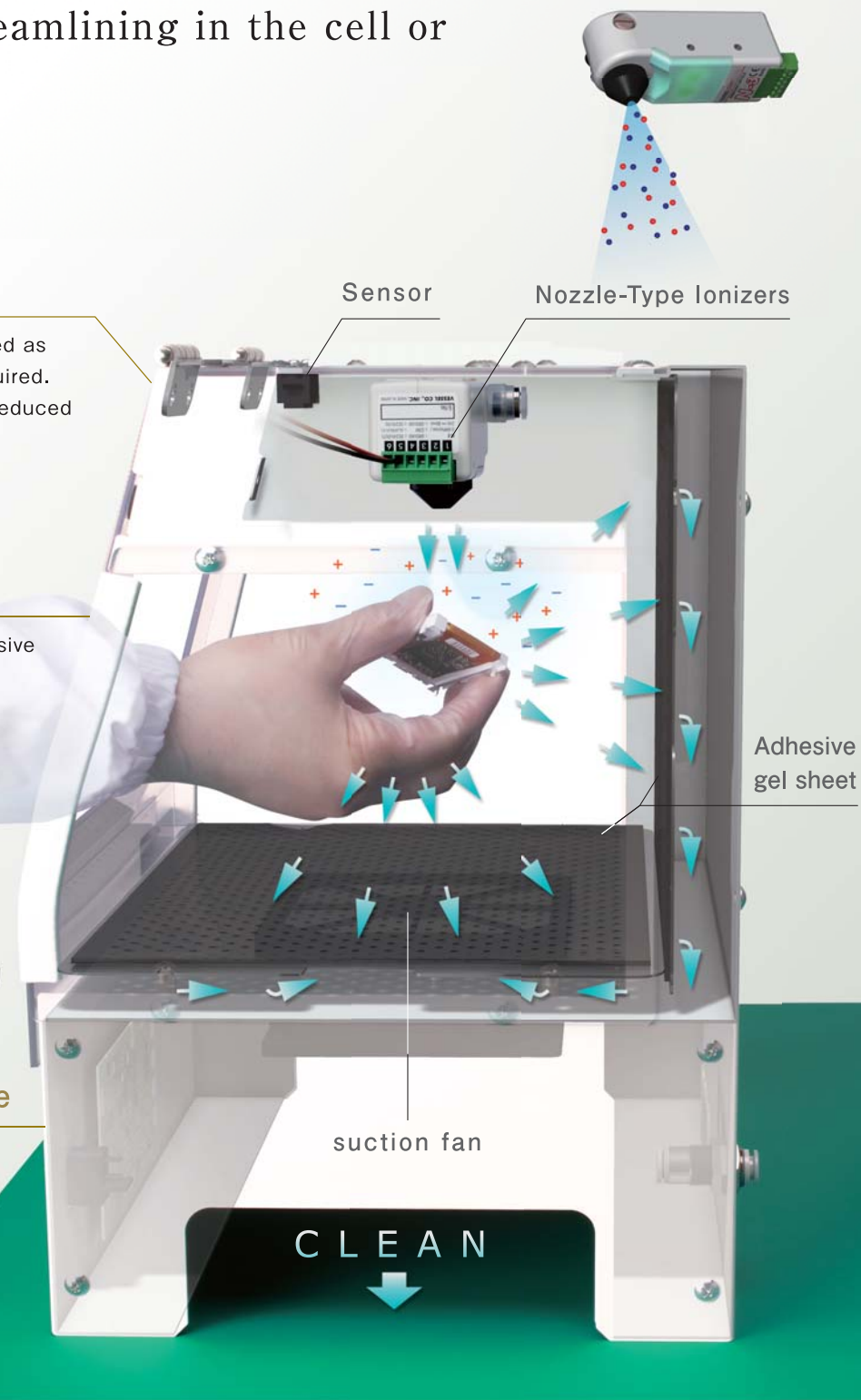
### Easy maintenance

Dust is collected on the self-adhesive urethane gel sheet. Just wash the sheet off with water to restore the adhesiveness.



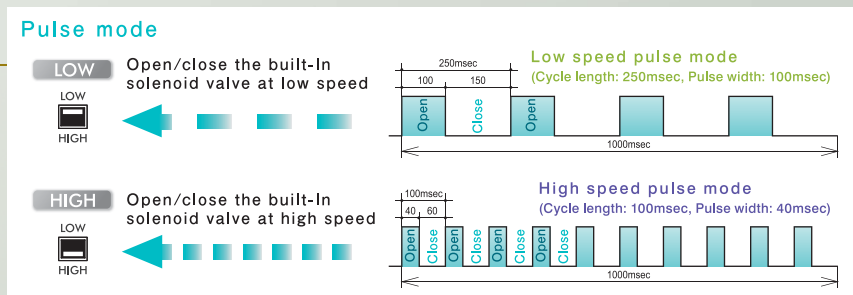
### Set the ionizing blow time

Can set the time to stop the ionizing blow after the sensor detects the workpiece. (1 / 2 / 5 / 10 or 30 sec.)



### Powerful dust removal pulse blow

Pulse mode enables more efficient dust removal by intermittent air blow. Select the pulse mode (High /Low) in accordance with your application.



## NEW IPC-A4



CE RoHS

EDP No.621610

Eco-friendly product

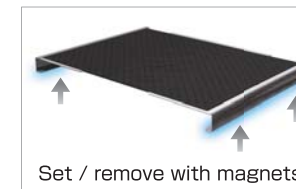
### Application examples

- Removing static electricity and dust from the following products:
  - substrate
  - semiconductor devices
  - optical lenses
  - housing of mobile phone or smart-phone
  - parts before assembly etc.



### New functions

- The flow control dial on the backside enables to adjust the ion airflow.
- The adhesive gel sheet plate with magnets can be easily attached and detached.



### Specifications

Model No.	IPC-A4
Dust collection method	Self-adhesive polyurethane gel sheets and non-woven fabric filter
Input voltage	DC 24V ±5% (Power supply transformer : AC100V~240V, 50/60Hz)
Power output	17W
Consumption current	700mA
Air flow	3.5 m <sup>3</sup> /min (Built-in fan)
Static pressure	105Pa (Built-in fan)
Ionizer	Super slim nozzle type ionizer N-3 ×1pc
Applied fluid	Clean air (0.1~0.5 MPa)
Air consumption	approx.150 ℓ /min (0.3MPa,continuous operation)
Air hose	O.D. φ 8 mm
Noise	86.5 dB A (0.3 MPa)
Working temperature/ Humidity Range	5 to 40°C / 35 to 65 %RH (No dew or freezing)
Dimensions	314W×253D×361Hmm
Weight	6kg
Materials	Booth: Steel, Rigid PVC plates Plates: Stainless steel Adhesive gel: Polyurethane
Accessories	Power supply transformer

## NEW IPC-A3



CE RoHS

EDP No.621612

Eco-friendly product

### Application examples

- Cleaning part trays.
- Removing static electricity and dust removal
  - before UV protection process
  - before silk printing
  - before packaging etc.



### New functions

- A paper pack filter can be attached to the exhaust port on the rear side (standard). A φ75mm exhaust duct can be connected by exchanging the flange
- The flow control dial enables to adjust the ion airflow.
- Replaceable nozzle suitable for pinpoint dust removal is included as accessory.

### Specifications

Model No.	IPC-A3
Dust collection method	Self-adhesive polyurethane gel sheets and paper pack filter
Input voltage	DC 24V ±5% (Power supply transformer : AC100V~240V, 50/60Hz)
Power output	22W
Consumption current	900mA
Air flow	1.13 m <sup>3</sup> /min (Built-in fan)
Static pressure	460Pa (Built-in fan)
Ionizer	Super slim nozzle type ionizer N-3 ×2pcs.
Applied fluid	Clean air (0.1~0.7MPa)
Air consumption	approx.190 ℓ /min (0.3MPa,continuous operation)
Air hose	O.D. φ 8mm
Noise	70.0 dB A (0.3MPa)
Working temperature/ Humidity Range	5 to 40°C / 35 to 65 %RH (No dew or freezing)
Dimensions	420W×300D×411Hmm
Weight	9.5kg
Materials	Booth: Steel, Rigid PVC plates Plates: Stainless steel Adhesive gel: Polyurethane
Accessories	Power supply transformer Duct flange (for φ75mm), Paper pack filter (6pc.)